



LED Floodlight-FE series specifications



- ◆High luminous efficacy 90lm/w
- ◆Input voltage: 200-240VAC
- ◆2 years warranty



Shenzhen YYC-LED lighting Co.,Ltd

Tel: +86-755-81702355

Fax: +86-755-81702285

Website: www.yyc-led.com

Address L No.6, Tongfuyu Industrial Zone, Kukeng, Guanlan Street,
Longhua District, Shenzhen City, Guangdong Province, China.



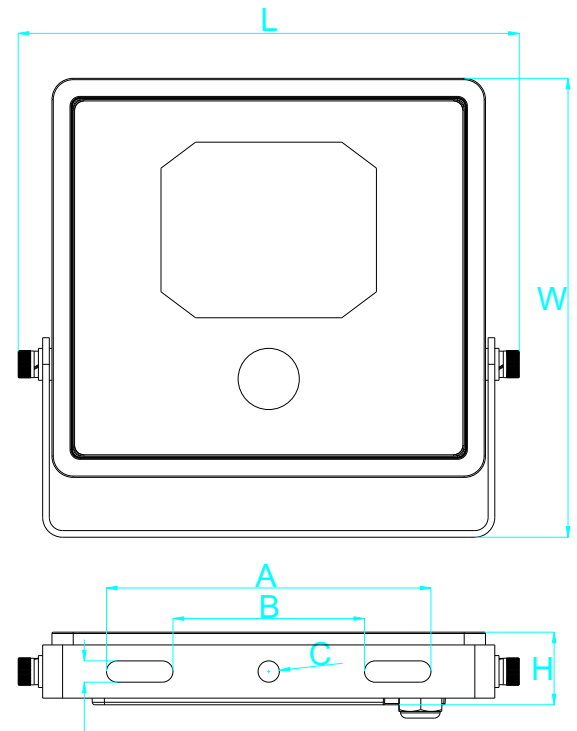
Product Specifications

Model#	FH013	FH023	FH033	FH053
Power	10W	20W	30W	50W
Input voltage	200~240VAC/50Hz			
Power Factor	PF≥0.9			
CCT	3000K、4000K、5000K、6000K、			
Lumen efficiency	90lm/W			
LED chips	2835			
CRI	Ra≥70			
Beam angle	120°			
IP rate	IP66			

Product Dimensions

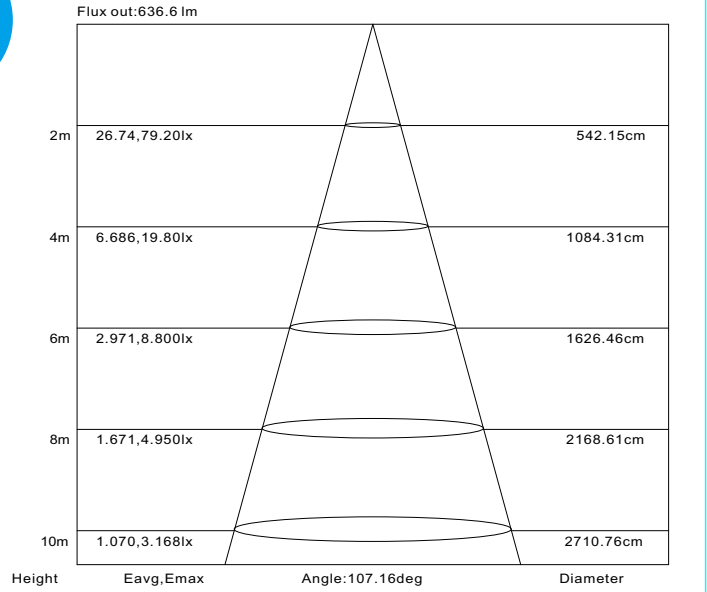
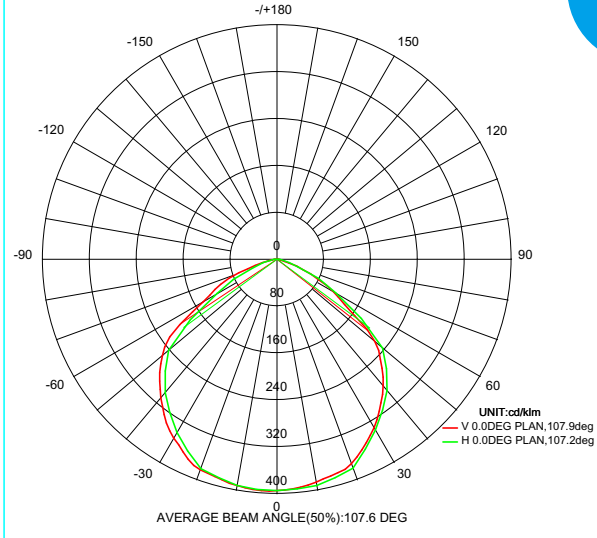
	L	W	H	A	B	C
FH013	152.4	138.5	27.3	92	52	φ8
FH023	152.4	138.5	27.3	92	52	φ8
FH033	188.4	172.5	27.3	122	72	φ8
FH053	188.4	172.5	27.3	122	72	φ8

unit : mm

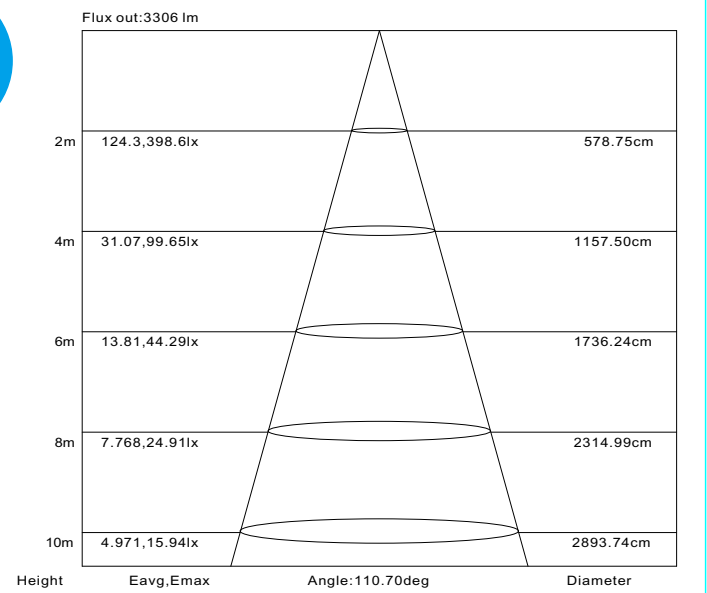
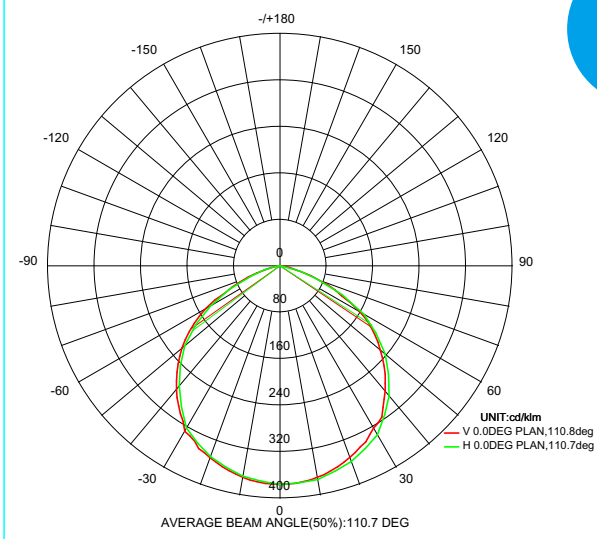


Optical parameters

10W

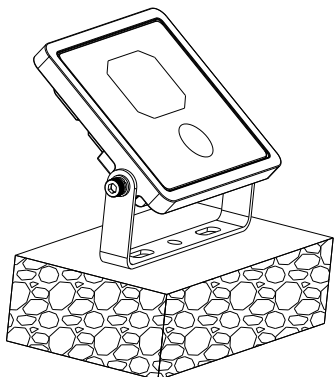


50W

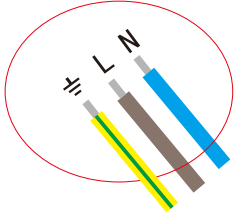


Installation and use

Environmental condition	Working temperature	Stock temperature	Relative humidity	Atmospheric pressure	Heat dissipation	IP grade
	-30—+45°C	-40—70°C	5—95%	70—106KPa	Natural transmission	IP66



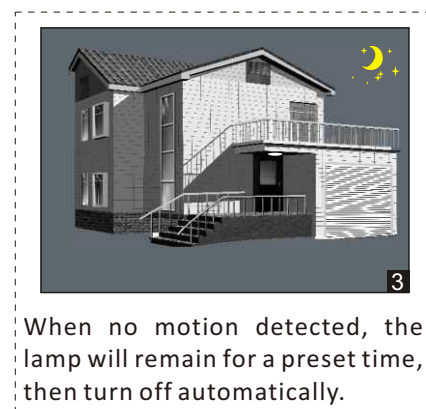
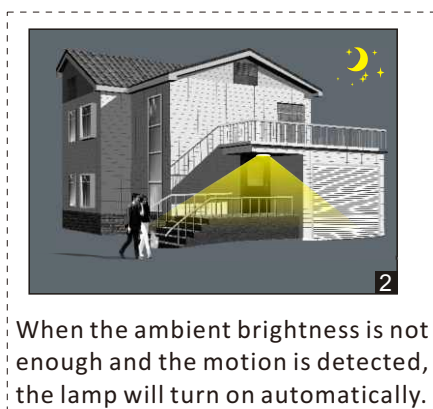
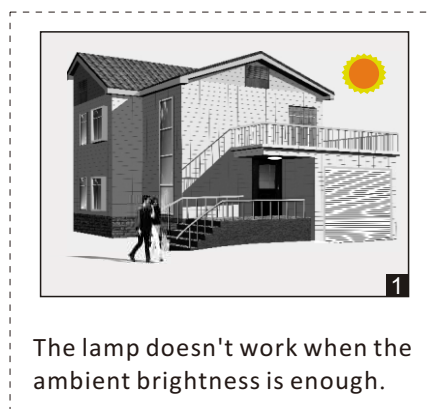
Wiring diagram



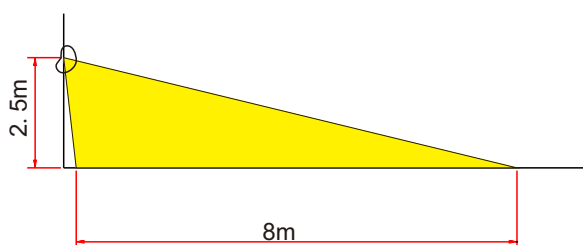
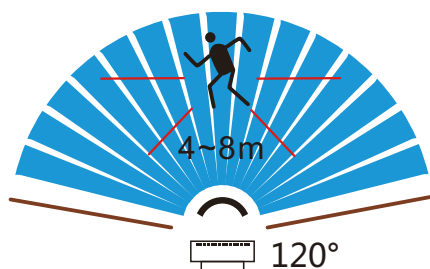
Technical Parameter

Main Function	Parameter	Optional Parameter
Type	infrared Motion detection	
Hold time	18S~20S	Can be customized
Daylight sensor	20~60Lux	Can be customized
On/off	Automatic	
Detection zone	4~ 8m	
Detection angle	120°	
Mounting height	4m Max	

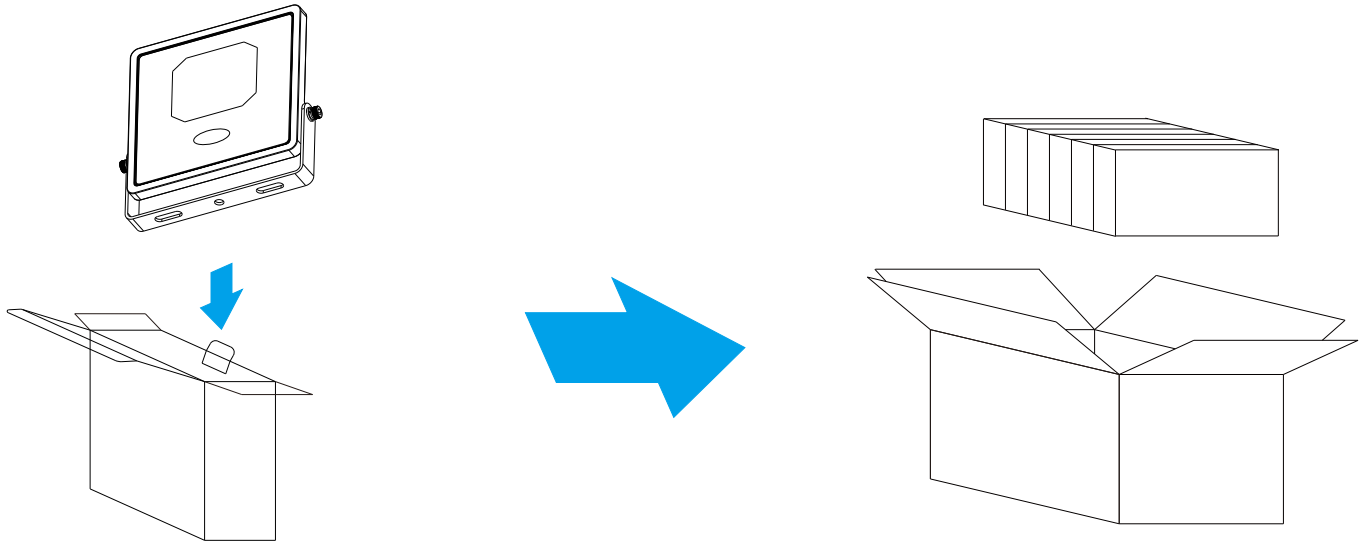
The FH is an innovative infrared sensor floodlight that turns on when an object is detected within its effective range, and turns off when it does not sense motion. Thanks to the built-in light sensor, it stops working when the ambient brightness is sufficient.



(3)、Detection range schematic diagram



Logistical Data



Model#	N.W	Inner box size	Quantity	G.W	Carton Size	G.W	PCS/CTN
FH013	0.47KG	160*50*125mm	1	0.5KG	500*220*275mm	14.0KG	24
FH023	0.47KG	160*50*125mm	1	0.5KG	500*220*275mm	14.0KG	24
FH033	0.7KG	194*58*158mm	1	0.75KG	410*230*340mm	13.5KG	16
FH053	0.7KG	194*58*158mm	1	0.75KG	410*230*340mm	13.5KG	16