

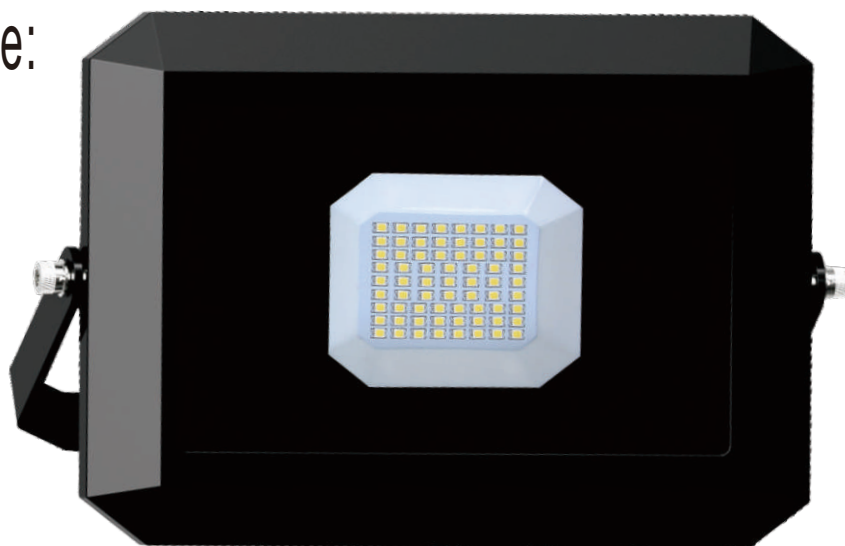
## SPECIFICATION

Item No: FJ053

VER: A/0

DATE:2016/07/05

product picture:



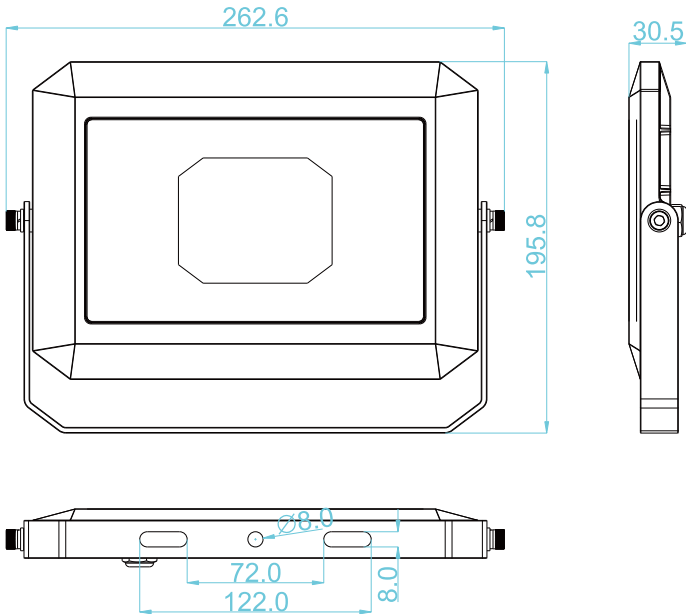
YYC confirm:		
made:	Audit:	Approved:
liuguan 2016.07.05		
customer confirm:		
check:	Audit:	confirm:

# FJ053 Flood Light



## 1. Product features

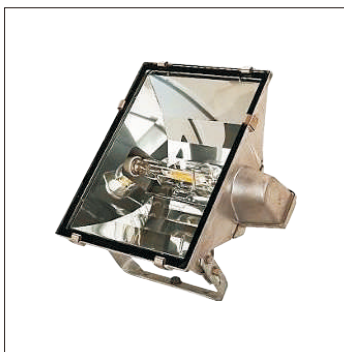
- 1☆ ) With advanced High voltage linear constant current drive technology, without electrolytic capacitor, drastically reducing the components, improving the reliability and life time, the optimal cost-effective method.
- 2☆ ) With input under-voltage protection, input over-voltage protection, over-temperature protection, and other functions, to keep the product reliable.
- 3☆ ) Comply with 4 kv surge resistance level, with resistance to high and low temperature shock, applicable to outdoor harsh environment.
- 4☆ ) With waterproof degassing valve, to balance the air pressure difference inside and outside of luminaries, and to prevent siphoning, with IP66 protection level.



- 5☆ ) High power factor, high efficiency, high CRI, low degradation.
- 6☆ ) Beautiful, simple, unique shape, and with a number of patent protection.
- 7☆ ) Product is thin and light, easy to packing, shipping, install and use.

Widely used in plant lighting ,supermarket lighting, stadium lighting ,municipal project lighting, Convention Center lighting, etc.

Can replace 300w Traditional Halogen floodlights .



## 2. specification

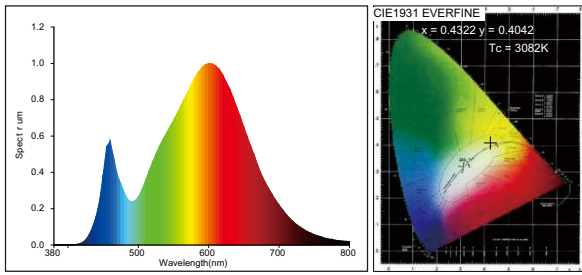
Item No	specification	input voltage	input power	power Factor	CCT	luminous flux	CRI	beam angle
FJ053	50W	AC220V/50Hz	50W	≥0.9	WW (3000K)	4000LM	Ra70	110°
FJ053	50W	AC220V/50Hz	50W	≥0.9	NW (4000K)	4250LM	Ra70	110°
FJ053	50W	AC220V/50Hz	50W	≥0.9	PW (6000K)	4500LM	Ra70	110°

### NOTE:

- 1: Categorizing different lighting : WW (2700-3300K) NW (3800-4300K) PW (5700-6500K) .
- 2: input voltage /input power tolerance for ±10%.
- 3: luminous flux tolerance for ±10%

### 3. Light Characteristics

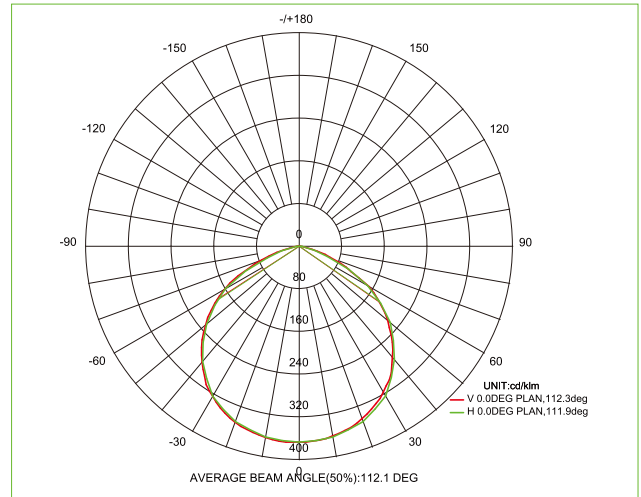
#### WW



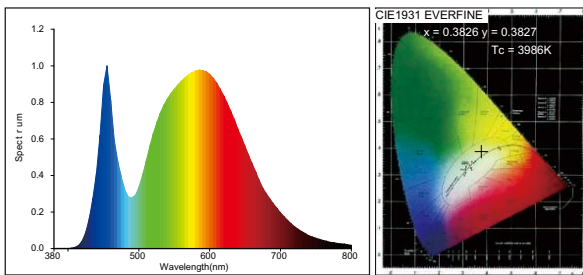
#### Color Parameters:

Chromaticity Coordinate: $x=0.4322$   $y=0.4042$ / $u=0.2475$   $v=0.5207$   
 $T_c=3082K$  Dominant WL:Ld=582.2nm Purity=51.1% Centroid WL:590.0nm  
 Ratio:R=23.8% G=73.6% B=2.6% Peak WL:Lp=600.0nm HWL:139.1nm  
 Render Index:Ra=81.7  
 R1=8.0 R2=9.0 R3=9.7 R4=7.7 R5=7.9 R6=8.6 R7=8.4  
 R8=6.1 R9=1.2 R10=7.6 R11=7.2 R12=6.3 R13=8.2 R14=9.8 R15=7.4

#### Radiation Diagram



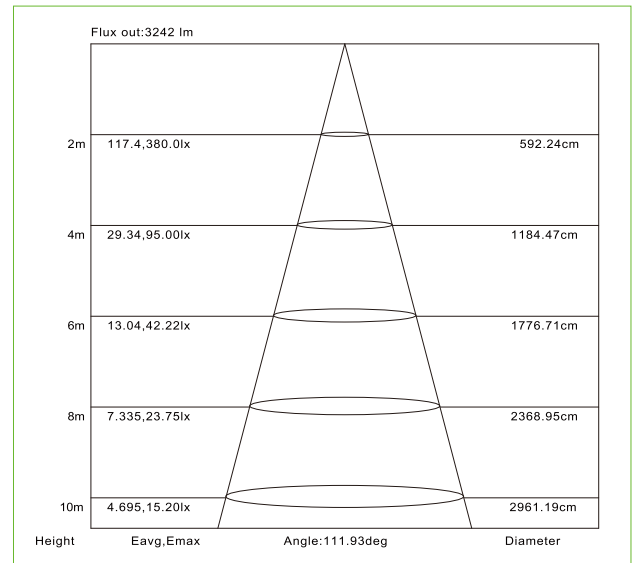
#### NW



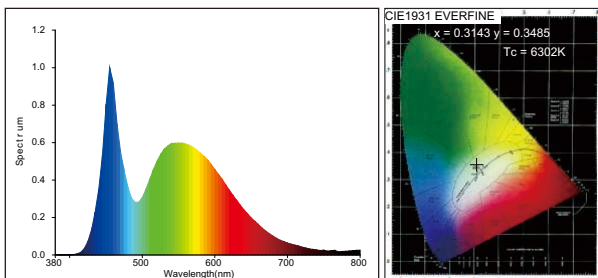
#### Color Parameters:

Chromaticity Coordinate: $x=0.3826$   $y=0.3827$ / $u=0.2242$   $v=0.5045$   
 $T_c=3986K$  Dominant WL:Ld=578.0nm Purity=29.7% Centroid WL:573.0nm  
 Ratio:R=19.2% G=77.7% B=3.1% Peak WL:Lp=455.0nm HWL:26.9nm  
 Render Index:Ra=79.8  
 R1=7.8 R2=8.6 R3=9.1 R4=7.7 R5=7.6 R6=7.9 R7=8.7  
 R8=6.5 R9=7 R10=6.4 R11=7.2 R12=5.1 R13=7.9 R14=9.5 R15=7.3

#### Lux Diagram



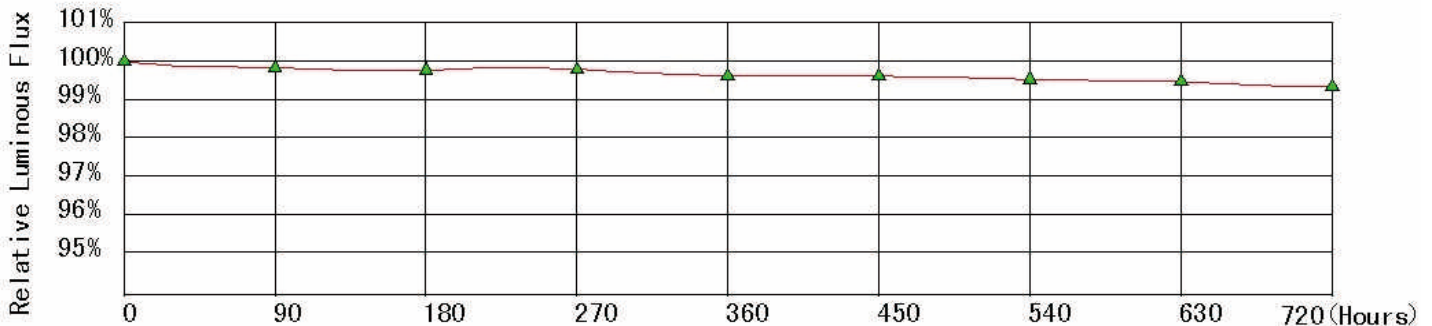
#### PW



#### Color Parameters:

Chromaticity Coordinate: $x=0.3143$   $y=0.3485$ / $u=-0.1918$   $v=0.4786$   
 $T_c=6302K$  Dominant WL:Ld=502.4nm Purity=5.8% Centroid WL:543.0nm  
 Ratio:R=13.2% G=81.7% B=5.2% Peak WL:Lp=455.0nm HWL:28.4nm  
 Render Index:Ra=80.6  
 R1=7.2 R2=8.5 R3=9.1 R4=7.2 R5=7.5 R6=8.0 R7=8.6  
 R8=6.5 R9=-2.3 R10=6.4 R11=6.7 R12=5.7 R13=7.5 R14=9.5 R15=7.0

#### Lighting Effects



Through the 720 H accelerated agingtest, high and low temperature prediction in the rated under the working conditions after 20000 H, will provide an average 70% optic maintenance ratio (L70).

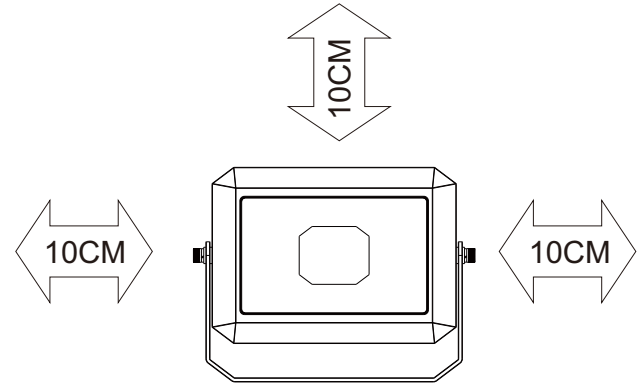
## 4. Installation and use

Environmental Conditions	Ambient Temp.	Storage Temp	Relative humidity	Atmosphere Pressure	Heat sink Mode	Protection degree
	-30—+45℃	-40—70℃	10—95%	70—106KPa	Natural Heat Conduction	IP66

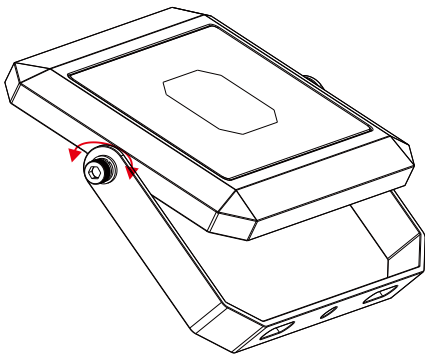
### Caution:

1. Installation and debugging must be carried out by a qualified professional
2. When making installation, please keep at least 10CM space between the luminaries with the obstacles around, to keep good heat dissipation. It is strictly prohibited to be covered by the flammable items.
3. Supply the qualified voltage and electrical current, to ensure the luminaries work normally.
4. Ensure the earth wire safely connect to the ground, and make well processing on insulation and waterproof.

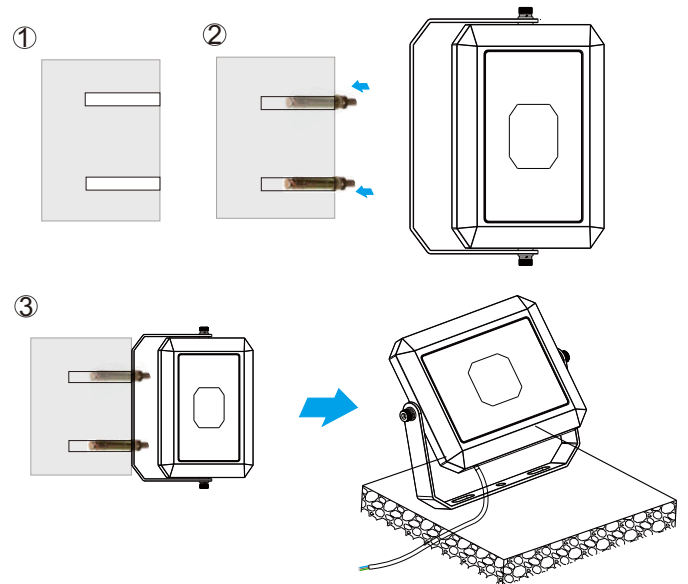
figure1



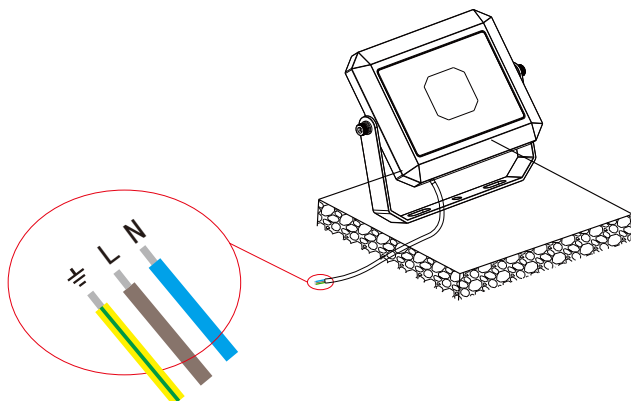
1. Adjust the angle you need, and fasten the screw by the Hex key.



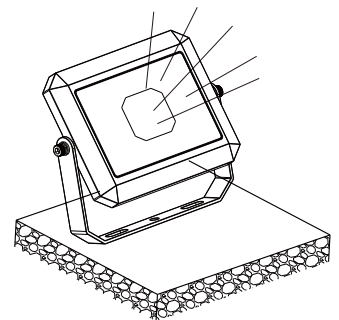
2. Install the LED floodlight onto the wall or the ground; punch hole on the wall or ground, prepare the expansion screw, and then fasten the floodlight.



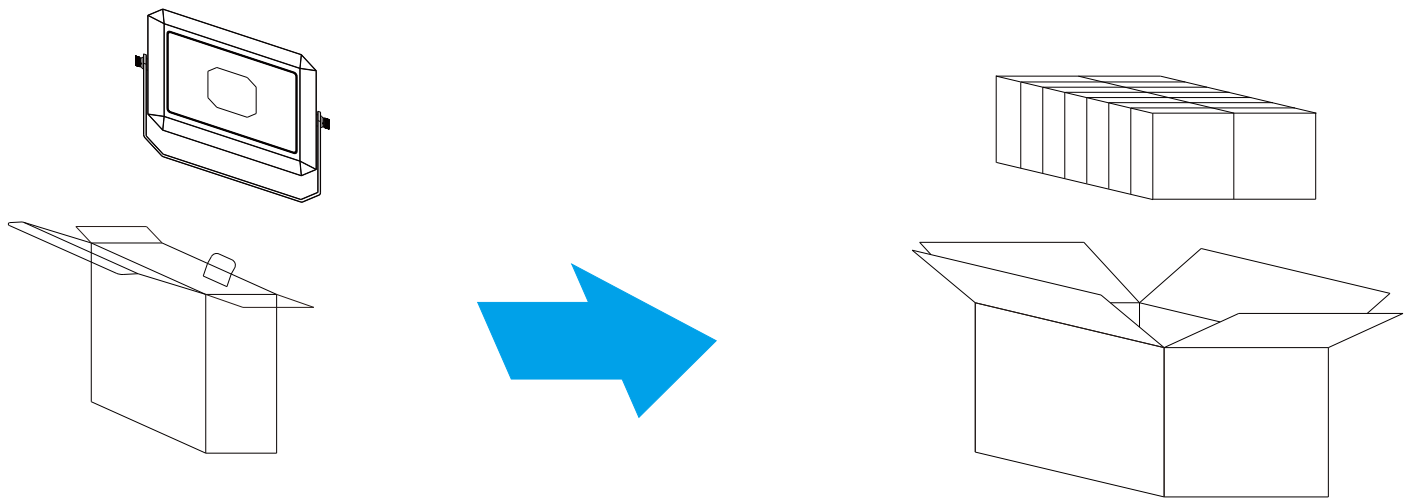
3. Connect the wire of output end on the driver with that of input end on the lighting fixture. Then do waterproof treatment for the connector. Pls note that the Brown color wire is Live wire, Blue wire is Null line.



4. Turn on the power supply to ensure the light is working, Installed.



## 5. Packing Instructions



Item No	Net Weight	box			carton		
		Measurement	Gross weight	pcs/box	Measurement	Gross weight	pcs/Carton
F J053	0.95Kg	L270*W43*H204(mm)	1.1kg	1	L555*W235*H430(mm)	24.0kg	20



The product specification might be subject to change without prior notice.

Tel:+86-755-81702385/81702336 Fax:+86-755-81702285 [www.yyc-led.com](http://www.yyc-led.com)